

**PRIMULA<sup>®</sup> S.A.**

**IRONING PRESSING MACHINERIES – FUSING PRESSES**

**Instruction Manual  
OCTOPUS**



**CE**

TABLE OF CONTEXT

1.ATTENTION!!!.....3

2. Technical Details.....4

2.1 Identification Data.....4

2.2 Use of the instruction Manual.....4

2.3 Technical Characteristics.....5

2.4 Technical Description.....5

3. General rules and Warnings.....5

3.1 General rules of using the ironing table.....5

3.2 Warning marks placed on the ironing table.....6

4. Instruction for installation.....6

4.1 Installation.....6

4.2 Connection to power supply.....6

5. Operating instructions .....7

5.1 Activation instructions.....7

5.2 Additional intructions.....7

5.3 Instructions for transferring Suction and Blowing air to and from the bucks.....8

6. Maintenance..... 8

6.1 Maintenance-Cleaning.....8

6.2 Tips for maintenance and safe check.....9

7. Troubleshooting.....9

7.1 Suction does not function.....9

7.2 Blowing does not function.....9

7.3 Ironing surface Heating system cannot be activated.....9

7.4 Ironing buck heating system cannot be activated.....9

7.5 During use the device produces loud noise.....9

Drawing of the spare parts..... 11

List of Spare parts..... 10

Wiring Diagram..... 14

Spare parts list of Wiring Diagram..... 15

TECHNICAL ASSISTANT.....16

**1. ATTENTION!!!**

*Please read this instruction manual very carefully before you start using your new Ironing Table.*

*The customer by purchasing this product declares that he is fully aware, and accepts everything mentioned in this operating manual.*

*Primula SA assumes neither responsibility for any errors herein, nor for incidental nor for resulting damage in connection with the performance or use of this operating manual.*

*You may not copy, reproduce, or translate this operating manual, or parts of it, to another language without prior written consent of Primula SA*

*Any information in this manual may be subject to change without any prior notice.*

**CAUTION! PLEASE READ CAREFULLY THE INSTRUCTION MANUAL BEFORE INSTALLING THE IRONING TABLE!!!**

3rd edition – March 2018

© Primula S.A. 2016

Company name: Primula S.A

Address: 14<sup>th</sup> km Thessaloniki – Kilkis,  
57200 Liti, Thessaloniki, Greece

Industry: Ironing Equipment

Telephone: +30 23940 71215

Fax: +30 23940 71438

Web: [www.primula.gr](http://www.primula.gr)

E-mail: [info@primula.gr](mailto:info@primula.gr)

## 2. Technical Details

### 2.1 Identification Data

The Ironing Table, that you have purchased, is a machine of high advanced technology with many advantages, unique in its kind. It is manufactured according to International and European safety standards by a company with experience, since 1969, in this sector. Congratulations for your choice!

Regarding its characteristics, the Ironing Table includes a serial number plate (see below) where all its specifications are displayed. Every warning and symbol that is placed on the Ironing Table is in accordance with the specifications of the European standards.

The serial number plate has been placed in a visible place on the Ironing Table and is made from fadeless material.

Amongst others, the Serial Number plate displays the following:

- Company Logo
- Manufacturer Information
- Model
- Serial Number
- Rated Voltage of Use
- Rated Frequency of Use
- Year of manufacturing
- Accumulated Installed Wattage



**Picture 1: Serial Number Plate**

### 2.2 Use of the Instruction Manual

The correct assembly and adjustment of the machine is vital to the safety of the user and the machine's life span. For this reason, the installation, alteration, replacement or extension of the machine should only be performed by qualified personnel.

Under no circumstances is interventions allowed in the machine, unless it's for the planned maintenance by an unauthorized engineer.

*If you remain uncertain regarding the correct assembly of the machine even after reading the instructions, contact the manufacturer or an authorized representative before starting the operation of the machine.*

## **2.3 Technical Characteristics**

### **Compact Ironing Table**

*The solution that the smaller garment manufacturers have been looking for. The Octopus gives you the flexibility of mounting up to five different bucks on it and work on them simultaneously, thus receiving a professional finish to jackets and trousers without having to invest in separate pressing equipment.*

*Primula S.A. can provide a wide variety to bucks to suit each customers' individual needs and transform the Octopus to a specialized table, whether it is for finishing, opening seams or underpressing.*

## **2.4 Technical Description**

<b>Model</b>	<b>OCTOPUS</b>
<b>Working Surface</b>	135X65cm
<b>Height adjustment</b>	75-90cm through amortisseur
<b>Heating</b>	1KW
<b>Suction</b>	Adjustable
<b>Blowing</b>	0.75HP (OPTIONAL)
<b>Motor Power</b>	0.75HP
<b>Pedal voltage</b>	24V-DC
<b>Power supply</b>	400V-3ph-50Hz/60Hz

## **3. General rules and Warnings**

### **3.1 General rules of using the ironing table**

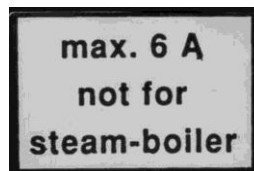
*For the safe usage of your ironing table, please read the following operating instructions carefully, as listed below:*

- *Install, use and maintain the ironing table according to the instructions in this manual. Otherwise, the manufacturer has no responsibility for the possible failed operation or safety.*
- *Before connecting the power supply, check that the voltage corresponds to the voltage indicated on the technical specifications.*
- *Connect the machine only to a power supply that meets the minimum required frequency and is properly grounded. Do not leave the ironing table while it is operating and is on power without supervision.*
- *Use the ironing table ONLY for the intended purpose in accordance with the current instruction manual and only with the accessories that are provided or that are intended for this specific ironing table. The manufacturer is not liable for any damages resulting from misuse or wrong use of the ironing table.*
- *DO NOT touch the power supply with wet hands.*
- *Do not clean the ironing table with corrosive or other damaging materials/chemicals.*

- Never use the ironing table to support any other machine or structure.
- **It is strictly prohibited to do any kind of welding or alterations on the ironing table or its parts.**
- **It is strictly prohibited to remove any protective device/guards.**
- **It is strictly prohibited to intervene in the control units/circuit boards of the Ironing Table.**
- **It is strictly forbidden to do any modification to the technical specifications of the machine (electrical or mechanical) by third persons.**
- Please contact your dealer or the manufacturer for any malfunction or further information requests

### 3.2 Warning marks placed on the ironing table

The following attention marks are placed on each ironing table:



The operator of the system has the obligation to inform himself regarding the dangers which may occur during usage, so that he/she can avoid them or minimize their occurrence as best as he/she is able to.

## 4. Instructions for installation

### 4.1 Installation

Put the ironing table in the designated area of your choice and align the machine by increasing/decreasing the height of its feet **No 14** (see the drawing of spare parts on page 10). Make sure that the ironing table is stable and the ironing surface flat.

### 4.2 Connection to Power Supply

For the electrical connection and above all for the power supply, please follow carefully the instructions of the electric diagram (enclosed) as well the warning signs symbols attached on the machine. In case you have purchased a single phase machine 230V, connect the machine onto a schuko socket 230V/16A. The connection should be done with a tripolar cable 3X1,5 mm (1 phase, 1 neutral, 1 grounded). The power should be provided with a fuse 16A. If the machine is 400V/3 phase, the connection should be made to a 5-poles cable 5X1,5 mm (3

phase, 1 neutral, 1 grounding). The power should be secured with a tripolar circuit breaker (3X10A).

**For any device that is connected to a 3-phased current, make sure that the rotation of the motor is done clockwise.**

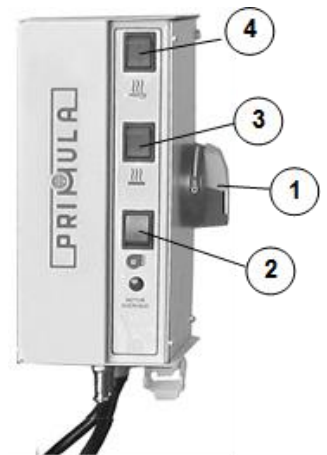
**CAUTION!** For your own safety, pay attention to all the warning labels (yellow colored) that are placed on the machine. The manufacturer bears no liability for any damages or accidents due to faulty supplying network or to not specified personnel.

### 5. Operating instructions

For the instructions mentioned in the current section please see the **below images (picture 4 & picture 5).**

#### 5.1 Activation Instructions

- Turn on the main switch **No 1**
- Turn on the switch **No 2** to activate the suction.
- Turn on the switch **No 3** to activate the heating on the ironing surface.
- Switch the thermostat that is placed below the buck to temperature 110°C during the winter and to 90°C during the summer.
- Turn on the switch **No 4** to activate the heating of the ironing bucks.
- Whenever you want to activate the suction, step lightly on the foot pedal.
- Adjust the intensity of the suction through the lever **No 5**, which is located on the chimney. Adjust it from 0% - 100% depending on the fabric (weight, quality etc.).
- Adjust the amount of steam from the steam generator in proportion to the intensity of the suction to avoid the liquidification of the steam on the ironing surface. Thinner fabric requires smaller amounts of steam, while thicker fabric requires larger amounts.

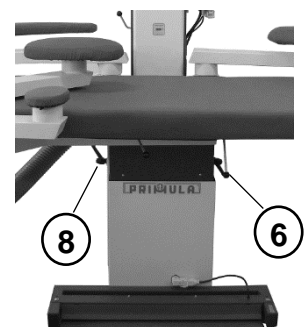


**Picture 4:**  
Switches



#### 5.2 Additional Instructions

- \* **In case your table disposes a blowing system of air (optional):**
  - Adjust the pressure of the blowing depending on the fabric (weight, quality etc.) from the lever **No 6** located beneath the ironing surface.
  - To activate the blowing, step lightly on the foot pedal.



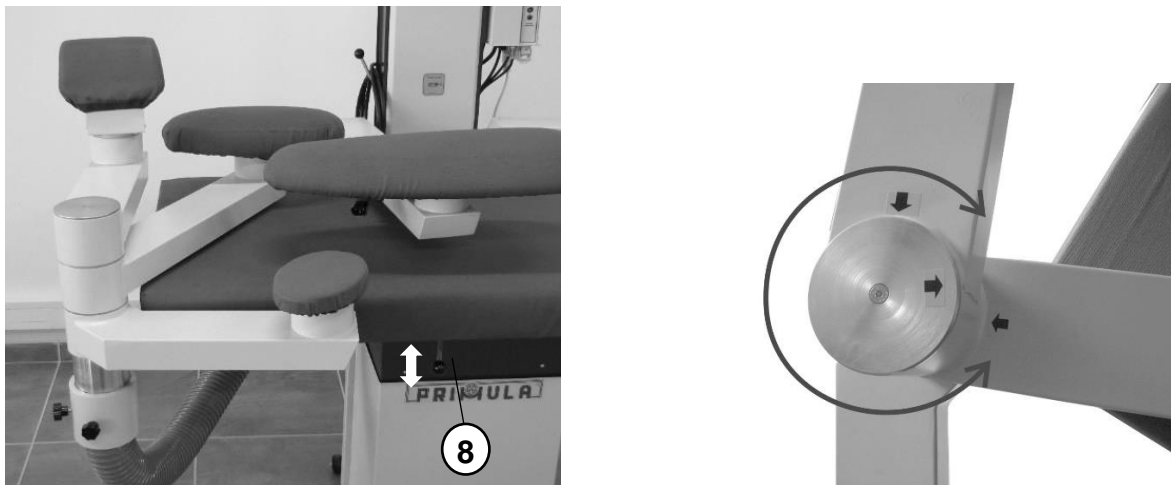
**\*\*In case the table disposes a Vario iron system (optional):**

- Hook the steam iron from the balancer and adjust the distance of the steam iron from the working surface (approximately 5cm). After you have finished ironing, unhook the steam iron from the balancer and put it on the iron rest mat.

### 5.3 Instructions for transferring Suction and Blowing air to and from the bucks

- A) If you want to interchange the suction/blowing air from the ironing surface to the bucks that are situated on the back side of the ironing table, you can pull the buck over the ironing surface. The suction/blowing air automatically will be interchanged from the ironing surface to the bucks and vice versa.
- B) If you want to interchange the suction/blowing air from the ironing surface to the bucks that are situated in the front side of the ironing table, you can push the lever **No 08** (see **picture 5**) which is located under the working surface. The suction/blowing air automatically will be interchanged from the ironing surface to the bucks and vice versa.

For each individual buck that you want to use, you must align the arrows (see **picture 5**) of the each buck with the arrow of the buck holder so that the suction/blowing function can be transferred to the chosen buck.



**Picture 5:** Images for transferring suction/blowing to and from the bucks

## 6. Maintenance

### 6.1 Maintenance-Cleaning

Before cleaning/checking/maintaining the ironing table, ensure that it is not connected to any power supply source and is not warm after usage. The processes of cleaning and maintenance must be taken place frequently and it is vital for the correct, safe and long-term operation of the ironing table.

For the correct operation of the ironing table over time you need to:

- Keep the covers of the board and the bucks clean, in order to have high suction and blowing performance. Wash the blue polyester fabric cover once a month in the washing machine (30-40°C).
- Replace the covers and the foams frequently for high suction and blowing performance.
- Remove any fuzz by dusting or cleaning the impeller at least 2-3 times a year.
- Clean and lubricate periodically the ball bearing of the swivel arms and the bucks of the ironing table.
- Clean periodically the inner parts of the ironing table, as well as the circuit board, using compressed air.



## **6.2 Tips for maintenance and safe control**

The manufacturing company suggests:

- Quick daily optical control of the ironing table (locate loose wires etc.) and an optical control of each part inside the ironing table every 3 month.

In case of a fault or need of repair/maintenance of the whole or part of the ironing table, please contact the manufacturer or an authorized representative.

## **7. Troubleshooting**

For the instructions mentioned in the current section please see the **drawing of the spare parts of the machine on page 10**.

### **7.1 The vacuum does not function properly**

- Check if there is sufficient power supply.
- Check if the power supply cable **No 33** has for some reason cut off.
- Check the circuit breaker F3 2.5A located inside the circuit board.
- Check if the pedal button is for some reason faulty.
- Check if motor **No 01** is for some reason damaged.
- Check the relay **No 36**.
- Check electric board **No 37**.

### **7.2 The blowing of air does not function**

- Check if the pedal button **No 15** is for any reason is damaged.
- Check electric board **No 37**.
- Check the relay **No 36**.
- Check the motor **No 1**.

### **7.3 The heating of the working surface is not activated**

- Check if the safety thermostat **No 75** is defective. Replace it.
- Check if the thermostat **No 76** is defective. Replace it.
- Check if the electrical impedance **No 116** is burned out. Replace it.
- Check if the switch **No 50** is faulty. Replace it.
- Check the power supply cable and power plug on the board surface (**No 71**).

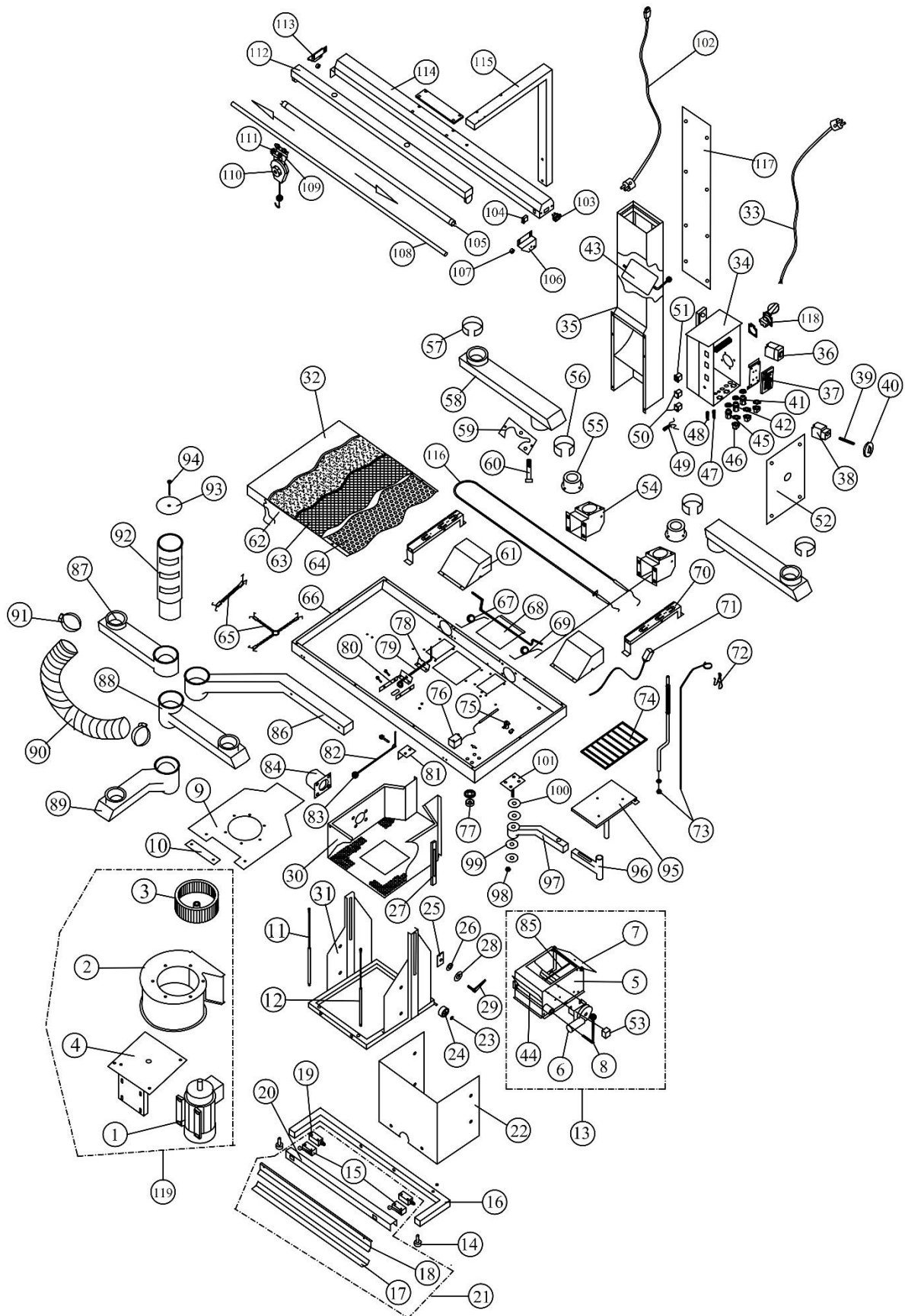
### **7.4 Ironing buck heating system cannot be activated**

- Check the power supply cable and power plug on the buck.
- Check the heating switch **No 51** of the buck.
- Check the electrical impedance of the buck.

### **7.5 During use the device produces loud noise**

- Check if the motor bearings have been outworn. Replace them.
- Check the impeller to ensure there is no dust or fuzz that could cause its vibration.

***Drawing of the spare parts***



### List of Spare parts

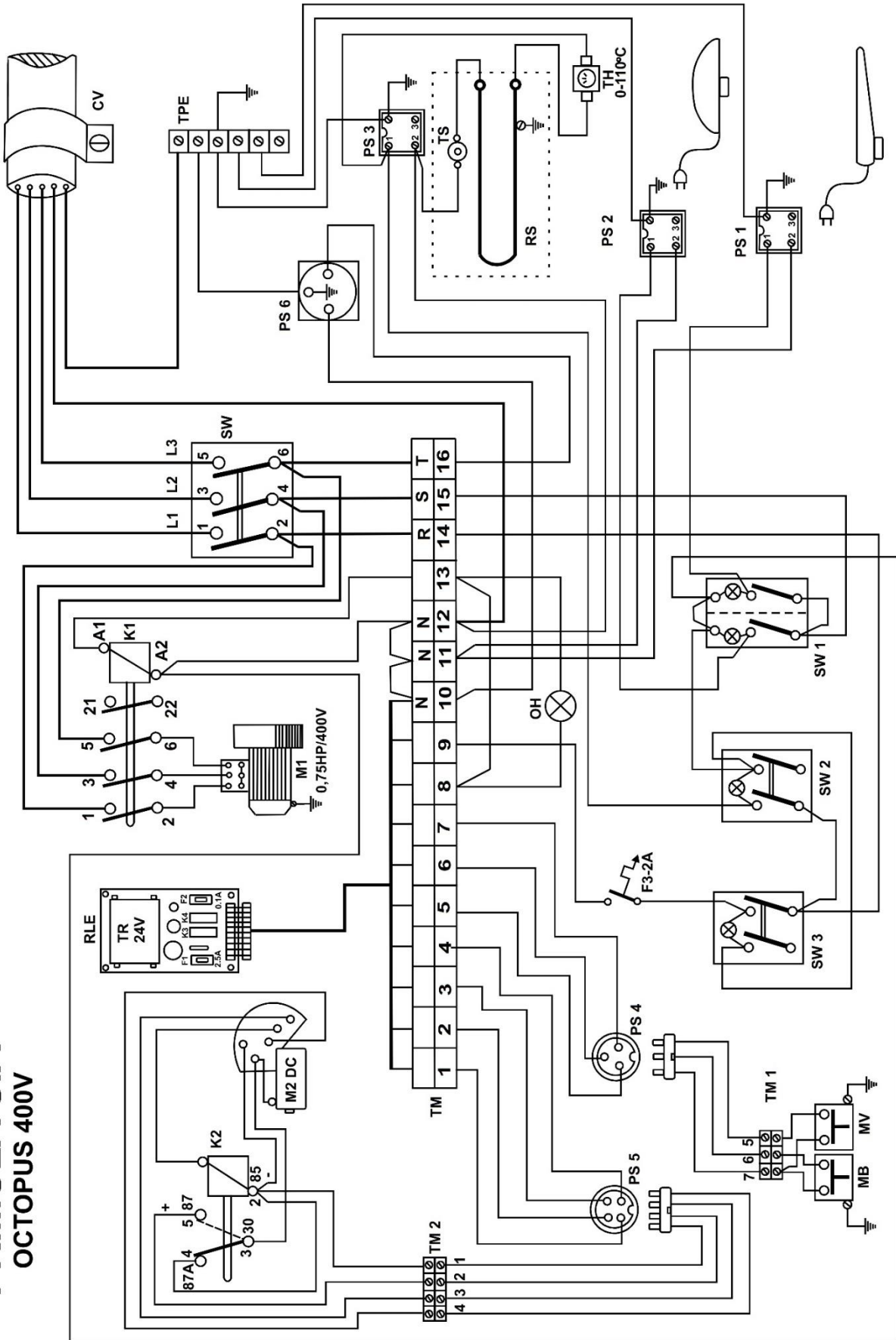
<b>No</b>	<b>CODE</b>	<b>DESCRIPTION</b>
1	302-00-001-3	Electric Motor 0,75HP/400V/50HZ - 3 N
	302-00-001-1	Electric Motor 0,75HP/230V/50HZ - 1 N
	302-22-001-2	Electric Motor 0,75HP/220V/60HZ - 1 N
	302-22-001-3	Electric Motor 0,75HP/110V/60HZ -1 N
2	192-22--002	Metallic shell vacuum
3	302-00-003	Fan wheel Ø180
4	192-22-004	Metallic flange of metallic shell vacuum
5	302-03-005	Case of Vacuum and Blowing interchange system
6	302-03-006	Flap Motor 12V/DC
7	192-03-007	Flap of Vacuum and Blowing interchange
8	192-03-008	Regulating lever of Blowing
9	302-03-009	Vacuum upper cover with flange
10	302-03-010	Metallic cover
11	302-36-011	Suspension lift 36/700N
12	302-36-012	Suspension lift 36/600N
13	102-03-013	Vacuum and Blowing interchange system complete
14	302-02-014	Leg for the regulation of table
15	302-26-026	Vacuum and Blowing micro switch MV45
16	192-04-016	Metallic frame of pedals
17	192-04-017	Vacuum pedal (only for S+B version)
	302-03-017	Vacuum pedal (only for suction version)
18	192-04-018	Blowing pedal
19	302-22-078	Cover of micro switch MV45
20	192-35-020	Metallic cover of micro switches
21	192-35-021	System of pedals
22	192-03-022	Metallic cover of base
23	302-03-023	Safety washer
24	302-01-016	Plastic wheel
25	192-03-025	Metallic holder
26	302-03-026	Plastic Washer
27	192-03-027	Metallic Guide
28	302-03-025	Washer
29	302-03-029	Stopper knob
30	192-35-030	Male base
31	192-03-031	Female base
32	302-03-032	Fabric cover PU6513
33	302-26-005	Cable of power supply 3X1.5mm with plug
	302-00-014	Cable of power supply 5X1.5mm
34	192-03-034	Electric box
35	102-35-013	Chimney
36	302-00-010	Relay for motor
37	302-22-018	PC Board
38	302-03-038	Main power switch 3X25
39	302-03-039	Axel of main switch 3X25

<b>No</b>	<b>CODE</b>	<b>DESCRIPTION</b>
40	303-03-031	Cover of main switch 3X25
41	300-00-008	Gland PG 13.5
42	300-00-007	Gland PG 11
43	192-03-043	Regulating flap of vacuum air quantity
44	192-03-044	Regulating flap of blowing air quantity
45	302-35-045	Gland PG 9
46	303-03-021	4-pole safety socket
47	302-03-079	Connector 3pole
48	302-03-081	Connector 4pole
49	302-22-046	Indicator lamp
50	308-00-006	Switch ON-OFF 16A
51	302-00-017	Double switch ON-OFF 16A
52	192-04-052	Electric box-cover
53	302-21-024	Relay 12V/DC
54	192-22-042	Corner of swivelarm
55	192-22-047	Bearing of arm
56	192-22-043	Brass muff of corner 60mm
57	192-22-045	Muff of arm's brass bearing
58	102-22-010-1	Arm of buck
59	192-21-073	Metallic holder of screw
60	302-21-046	Screw of arm
61	192-22-041	Cover of tamper
62	302-22-038	Foam layer 1365
	302-22-038-1	Felt molletone 1365
	302-22-038-2	Vacufix layer 1365
63	302-22-037	Lattice fabric white
64	192-22-036	Metallic gauze
65	302-27-041	Springs with clips
	302-01-035	Springs with clips
66	192-22-030	Tray 1365
67	192-22-075	Spring of Tamper (left)
68	192-22-032	Board's mechanic tamper
69	192-22-076	Spring of Tamper (right)
70	192-22-035	Base of heating element
71	302-04-071	Power supply cable of heating element
72	192-01-027	Hanger of the iron's cables
73	107-01-000	Antenna
74	107-03-000	Silicon iron rest mat
75	302-01-010	Safety thermostat 145°C
76	302-00-012	Thermostat of table 110C
77	302-26-004	Thermostat knob
78	192-36-078	Metallic holder of axle mechanic tamper
79	192-36-079	Axle of mechanic tamper
80	192-36-080	Metallic holder of lever and axle
81	192-36-081	Metallic holder of lever

<b>No</b>	<b>CODE</b>	<b>DESCRIPTION</b>
82	192-36-082	Lever of Board's mechanic tamper
83	302-00-040	knob of air quantity adjuster lever
84	192-36-084	Bearing for air of suction and Blowing
85	192-03-085	Rod of blowing mechanism
86	192-36-086	Holder of arms
87	192-36-087	Arm of buck No3
88	192-36-088	Arm of buck No2
89	192-36-089	Arm of buck No1
90	302-36-090	Air pipe Ø85mm
91	302-36-091	Metallic clamp 60-90
92	192-36-092	Bearing male side arms
93	192-36-093	Metallic cover
94	302-36-094	Screw for metallic cover M6X20
95	192-36-095	Metallic base of iron
96	192-36-096	Female arm of iron base
97	192-36-097	Male arm of iron base
98	303-03-015	Nut M10
99	192-36-099	Plastic washer
100	302-36-100	Metallic washer
101	192-36-101	Metallic holder
102	302-22-057	Cable of lighting power
103	302-22-056	Lighting's socket
104	302-22-054	Lighting's switch
105	302-00-044	Fluorescent lighting
106	192-22-055-1	Blade of bar support L
107	302-01-057	Elastic stop
108	192-22-051	Suspension's bar
109	302-22-050	Ball bearing of stretcher's suspension
110	192-00-051	Iron's suspension
111	302-00-049	Stretcher suspension
112	302-22-052	Lighting
113	192-22-055	Blade of bar support S
114	192-22-058	Plate of lighting
115	192-22-059	Corner of vario
116	302-01-014	Heating element 1KW/230V
117	192-36-117	Metallic Cover of Chimney
118	302-22-020	Socket 6A
119	302-22-004 302-22-004-1	Vacuum 0.75HP 400V complete Vacuum 0.75HP 230V complete

**Wiring Diagram**

**PRIMULA S.A**  
**OCTOPUS 400V**



**Spare parts list of Wiring Diagram**

<b><i>Symbol</i></b>	<b><i>Description</i></b>
<i>1C</i>	<i>3-poles main switch</i>
<i>I1</i>	<i>1-pole switch for table heating with indicator lamp</i>
<i>I2</i>	<i>Switch for forms heating with indicator lamp</i>
<i>I3</i>	<i>1-pole vacuum switch</i>
<i>RE</i>	<i>Heating element 1000W</i>
<i>K1</i>	<i>Vacuum motor relay</i>
<i>K2</i>	<i>Flap motor Relay</i>
<i>M</i>	<i>Vacuum motor 1HP/400V-3ph-50Hz with thermostat</i>
<i>MV</i>	<i>Vacuum pedal switch</i>
<i>MB</i>	<i>Blowing pedal switch</i>
<i>TS</i>	<i>Vacuum motor thermal protector</i>
<i>TS1</i>	<i>Thermostat 30-110°C adjustable</i>
<i>TS2</i>	<i>Safety thermostat (heat stop)</i>
<i>PS1</i>	<i>4-poles safety F-plug (for form connection)</i>
<i>PS2</i>	<i>4-poles safety F-plug (for form connection)</i>
<i>PS3</i>	<i>4-poles safety F-plug (for table connection)</i>
<i>PS4</i>	<i>F-plug for pedal switch connection</i>
<i>PS5</i>	<i>F-plug for flap motor connection</i>
<i>PS6</i>	<i>F-plug for iron connection, Max 1kW</i>
<i>TM</i>	<i>Wires terminal block</i>
<i>CV</i>	<i>Flexible power feeding cable 5 x 1,5mm<sup>2</sup></i>
<i>RLE</i>	<i>DC feeding, electrical card</i>
<i>MDC</i>	<i>Flap motor DC</i>
<i>LS</i>	<i>Indicating lamp for motor over heating</i>

**TECHNICAL ASSISTANCE**

*For any advice about the operation of the machine or the spare parts, please contact the dealer you have purchased the machine from or us directly at:*



*14<sup>th</sup> km Thessaloniki – Kilkis, 57200 Liti, Thessaloniki, Greece*

*Tel.: +30 23940 71 215 Fax : +30 23940 71 438*

*E-mail : [info@primula.gr](mailto:info@primula.gr)*

**All specifications have been made to the best of our knowledge.**

**Primula S.A preserves the right to make changes to the system and its parts without prior notice.**